

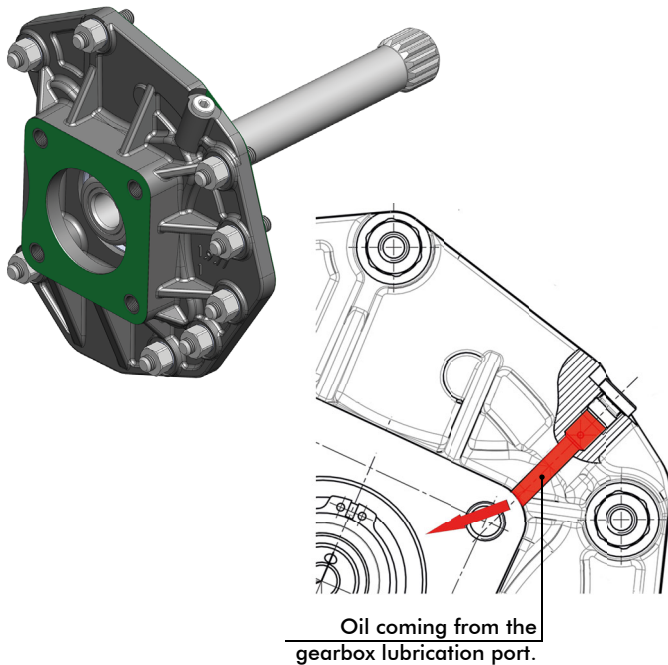
New quill shaft for DETROIT-DIESEL DT12 OD-OC-DC gearbox

We are glad to inform you that a new quill shaft with lubrication kit has been developed for DETROIT-DIESEL gearbox.

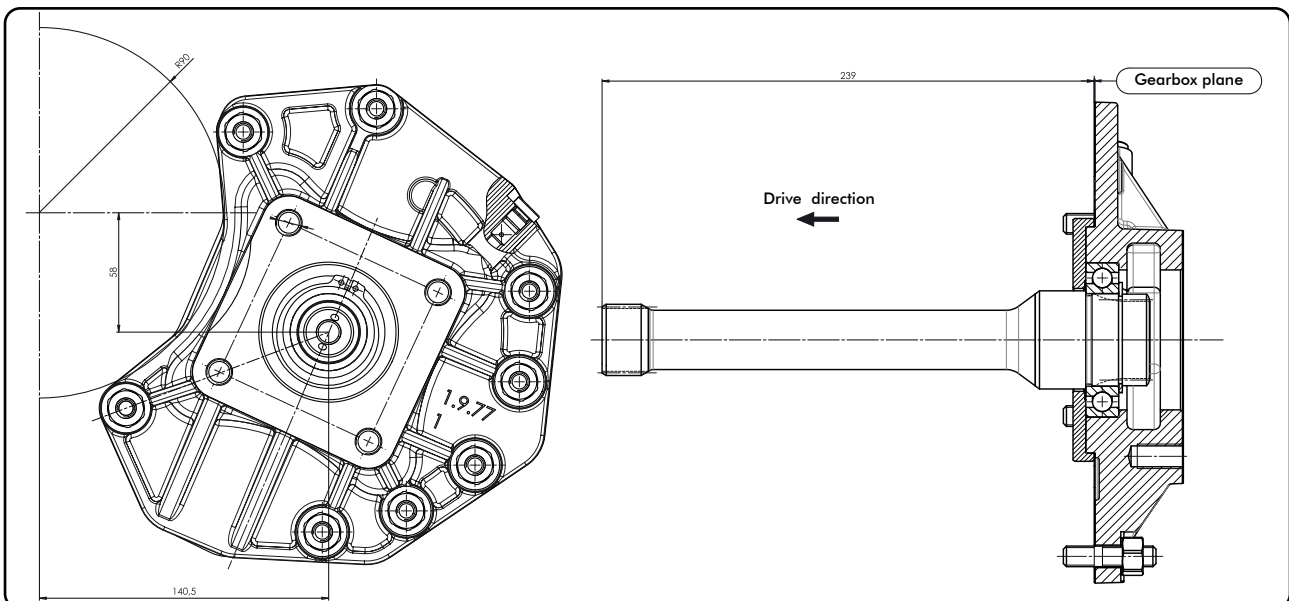
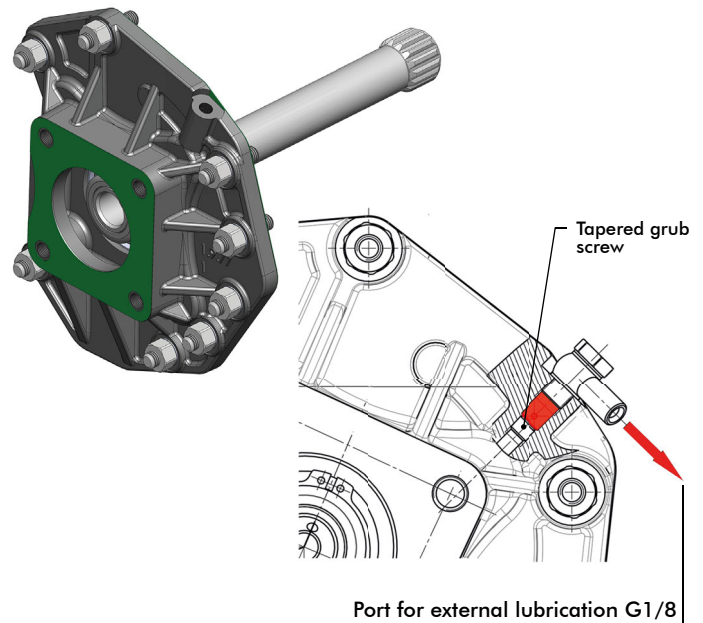
Ordering code:




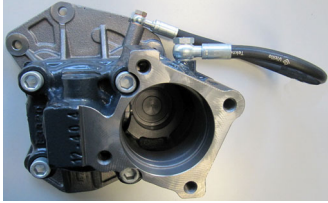






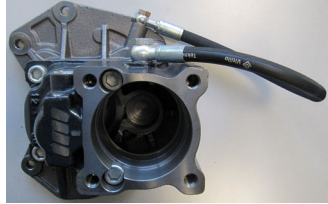





- 09391610336 Quill shaft with lubrication DETROIT-DIESEL DT12 OD-OC-DC

**INTERNAL LUBRICATION
(STANDARD)**



EXTERNAL LUBRICATION



PTO	PTO MOUNTING	LUBE KIT	MOUNTING PICTURES
POWERFUL	Vertical mounting low output 	NOT NECESSARY	
	Horizontal mounting side output 	 09400100225 WITH EYE-WITH EYE	
	Vertical mounting up output 	 09400100234 STRAIGHT-WITH EYE	
POWERTRUCK	Vertical mounting low output 	NOT NECESSARY	
	Horizontal mounting side output 	 09400100225 WITH EYE-WITH EYE	
	Vertical mounting up output 	 09400100243 WITH EYE-90°	
DOUBLE OUTPUT PTO Ø68 010034 010036 010037 010039		 09400100243 WITH EYE-90°	